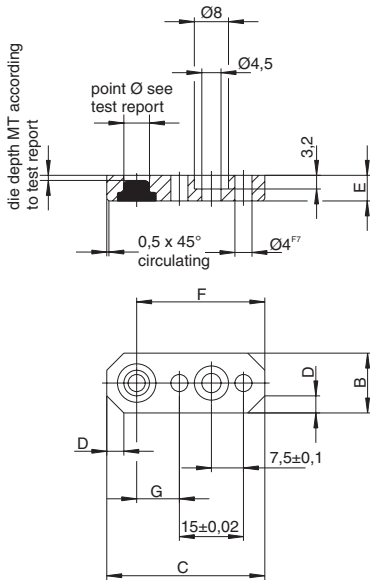


Flat die plate

Reaches almost every corner of the component; allows narrow edges;

extremely small design; Single tool, quick and easy to replace.

Tool can be used for single and multiple points.



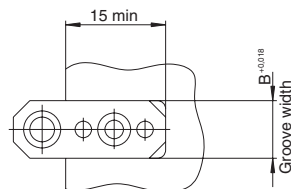
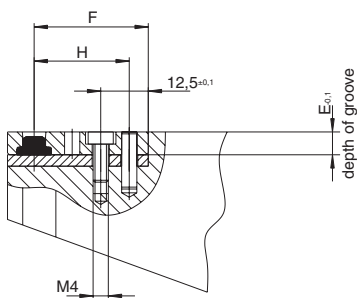
Order number Part 1 = design	B	C	D	E	F±0,02	G±0,02	H±0,02	for TOX® point Ø mm
TOX® 40.25	10	35	3x45°	6	30	10	25	3, 4, 5, (6)*
TOX® 41.25	14	37	4x45°	6	30	10	25	6, 8
TOX® 43.25	16	38	4,5x45°	10	30	10	25	10
TOX® 44.25	20	45	4,5x45°	10	35	15	30	12

Dimensions in mm

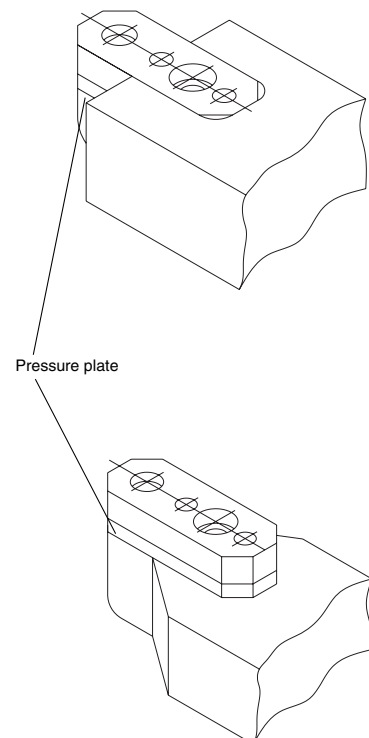
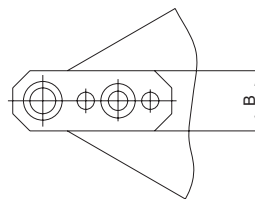
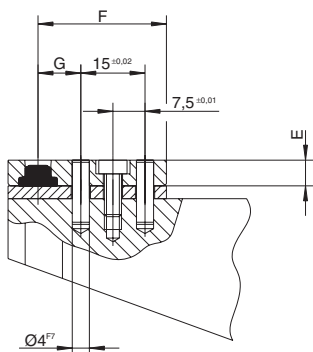
* only after consulting TOX® PRESSTECHNIK.

Die with insert features an integrated oil drainage system.

Installation with groove



Installation with dowel pin



Attention: observe installation guidelines and TOX® test report