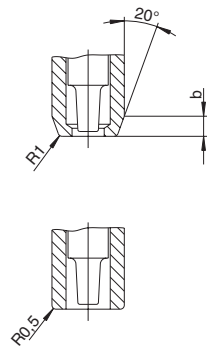
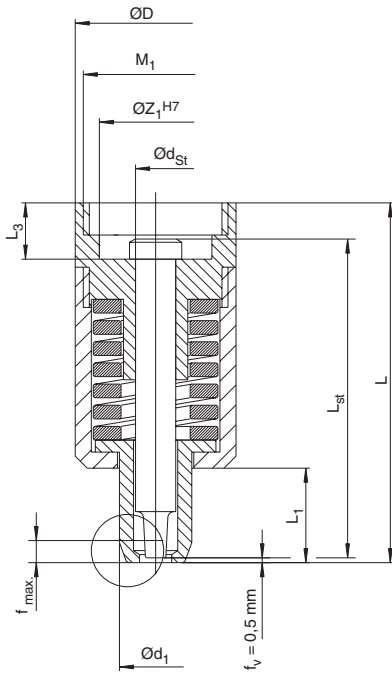


# TOX® round Stripper



**Type: CSR**

**punch holder**, for single and multi-point work, with punch holder installed directly on plate with holding flanges type CZE and CZW or for mounting to TOX®-Powerpackage with holding flange type CZP. TOX® tool and spring can be exchanged separately.

**Standard shape**

**Special shape in exceptional cases**

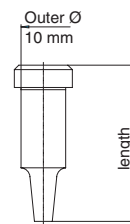
From point-Ø 10 please consult TOX® PRESSOTECHNIK.

- L<sub>St</sub> = length of punch
- d<sub>St</sub> = diameter of punch
- F<sub>V</sub> = pre-stressing force
- F<sub>max</sub> = max. stripping force
- f<sub>max</sub> = max. spring travel
- f<sub>V</sub> = punch recessed

By means of the length of the TOX® tools it is possible to vary the tool space L<sub>1</sub> and hence the interference contour.

For punch denomination see TOX® test report

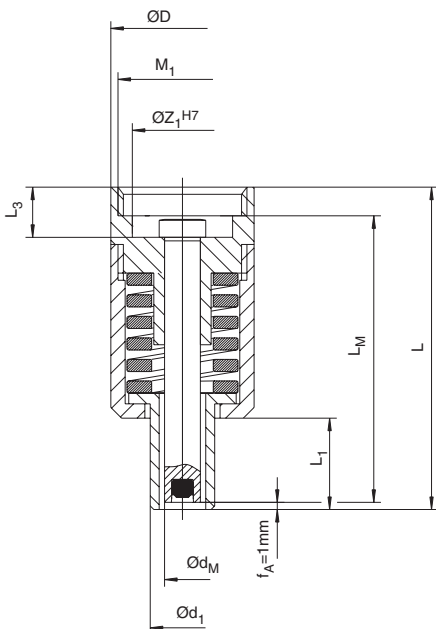
**TOX® 10. 00. 148662**  
 Ø-outside length defines TOX®  
 in mm number Technology Data



Type	L <sub>St</sub>	d <sub>St</sub>	F <sub>V</sub> (N)	Rate of spring (N/mm)	f <sub>max</sub> (mm)	F <sub>max</sub> (N)	Ø D	L	Ø d <sub>1</sub>	b	Ø Z <sub>1</sub> H7	M <sub>1</sub>	L <sub>1</sub>	L <sub>3</sub>	Spring type	Recommended die stripper
CSR 25.10.060	60	10	925	370	5	2775	32	67,5	15	2,5	22	M24x1,5	11	12	CZF25	CMR 24...
CSR 25.10.080	80	10	925	370	5	2775	32	87,5	15	2,5	22	M24x1,5	31	12	CZF25	CMR 24...
CSR 25.10.100	100	10	925	370	5	2775	32	107,5	15	2,5	22	M24x1,5	51	12	CZF25	CMR 24...
CSR 32.10.080	80	10	970	485	6,3	4025	40	88,5	18	5	28	M32x1,5	23,5	13	CZF32	CMR 24...
CSR 32.10.100	100	10	970	485	6,3	4025	40	108,5	18	5	28	M32x1,5	43,5	13	CZF32	CMR 31...
CSR 38.10.080	80	10	2610	580	8,3	7425	50	90,5	22	7	28	M42x1,5	12,5	15	CZF38	CMR 24.../31...
CSR 38.10.100	100	10	2610	580	8,3	7425	50	110,5	22	7	28	M42x1,5	32,5	15	CZF38	CMR 24.../37...
CSR 51.10.100	100	10	4020	670	8,3	9580	65	110,5	24	7	40	M56x1,5	19,5	15	CZF51	all CMR

Dimensions in mm

# TOX® round Stripper / TOX® optional equipment



## Type: CMR

**die holder**, for single and multi-point work, with die holder installed directly on plate with holding flanges type CZE and CZW or for mounting to TOX®-Powerpackage with holding flange type CZP. TOX® tool and spring can be exchanged separately.

- $L_M$  = length of die
- $d_M$  = diameter of die
- $F_v$  = pre-stressing force
- $F$  = stripping force
- $f_A$  = stripping travel

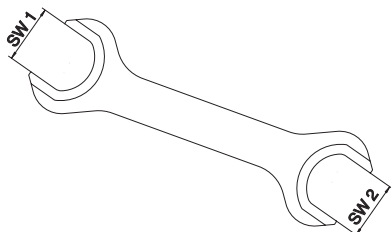
By means of the length of the TOX® tools it is possible to vary the tool space  $L_1$  and hence the interference contour.

Type	$L_M$	$d_M$	$F_v(N)$	Rate of spring (N/mm)	F (N)	L	$\varnothing D$	$L_1$	$\varnothing d_1$	$\varnothing Z_1^{H7}$	$M_1$	$L_3$	Spring type
CMR 24.14.060	60	14	900	95	995	68	32	11,5	19	22	M24x1,5	12	CZF24
CMR 24.14.080	80	14	900	95	995	88	32	31,5	19	22	M24x1,5	12	CZF24
CMR 24.14.100	100	14	900	95	995	108	32	51,5	19	22	M24x1,5	12	CZF24
CMR 25.10.060	60	10	2035	370	2405	68	32	11,5	15	22	M24x1,5	12	CZF25
CMR 25.10.080	80	10	2035	370	2405	88	32	31,5	15	22	M24x1,5	12	CZF25
CMR 25.10.100	100	10	2035	370	2405	108	32	51,5	15	22	M24x1,5	12	CZF25
CMR 31.14.080	80	14	2275	350	2625	89	40	20	18	28	M32x1,5	13	CZF31
CMR 31.14.100	100	14	2275	350	2625	109	40	40	18	28	M32x1,5	13	CZF31
CMR 32.14.080	80	14	3150	485	3635	89	40	20	18	28	M32x1,5	13	CZF32
CMR 32.14.100	100	14	3150	485	3635	109	40	40	18	28	M32x1,5	13	CZF32
CMR 37.14.080	80	14	3410	325	3735	91	50	9	22	28	M42x1,5	15	CZF37
CMR 37.14.100	100	14	3410	325	3735	111	50	29	22	28	M42x1,5	15	CZF37
CMR 38.14.080	80	14	6090	580	6670	91	50	9	22	28	M42x1,5	15	CZF38
CMR 38.14.100	100	14	6090	580	6670	111	50	29	22	28	M42x1,5	15	CZF38

Dimensions in mm

## Open end wrench CZG

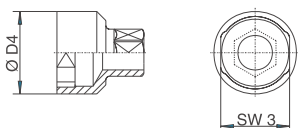
Fork wrench for changing TOX® tools, TOX® coil springs and holding flanges.



type	SW 1	SW 2	appropriate for
CZG 27-30.00	27	30	CZP/CZW/CZE 25
		38	CSR/CMR 25/CMR 24
CZG 36-38.00	36	38	CZP/CZW/CZE 32
		46	CSR/CMR 32/CMR 31
CZG 46-60.00	46	60	CSR/CMR/CZP/CZW/CZE 38/CMR 37
		60	CSR/CMR/CZP/CZW/CZE 51

## Special hexagon socket spanner

### CZN



type	SW 3	D4	appropriate for
CZN 25	30	36,5	CSR/CMR 25 CMR 24
CZN 32	38	45,5	CSR/CMR 32 CMR 31
CZN 38	46	55,5	CSR/CMR 38 CMR 37
CZN 51	60	69,5	CSR 51