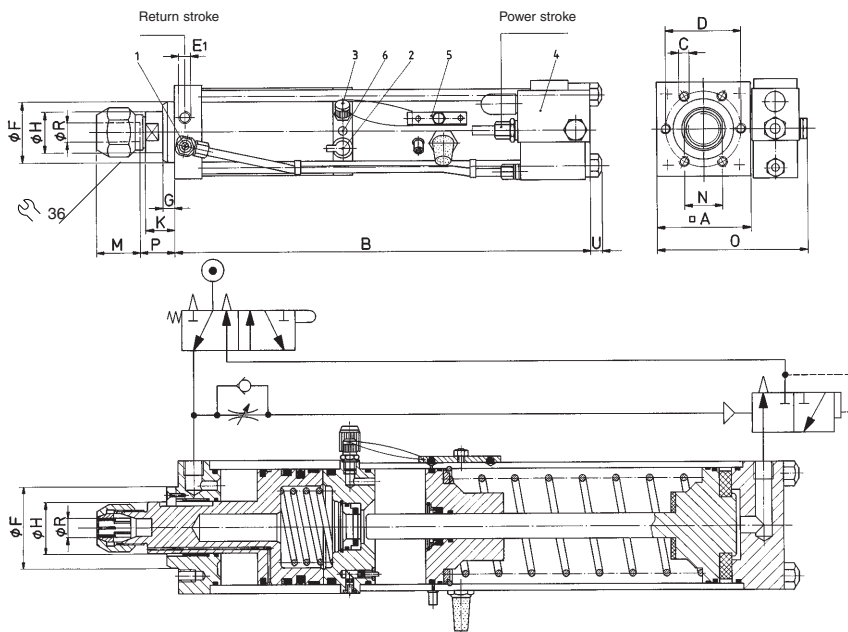


# TOX®-Powerpackage Cylinder Type RP

With antirotating rod and clamping collet



**Function:** spring loaded approach stroke. Return port pressurized with shop air at 5 bar. The powerstroke engages automatically at any point of the approach stroke when the rod meets resistance. Complete air to oil separation. Integrated oil chamber. Oil level indicator and oil refill nipple standard. High-pressure connection to monitor oil pressure and control process.

**Controls:** same as any double acting pneumatic cylinder. Changeover from approach stroke to powerstroke takes place automatically. Change-over time adjustable with flow control valve "X".

**Installation:** can be mounted in any orientation. Side loads are not permitted on cylinder rod.

**Warning:** working rod extends if air pressure drops. Minimum air pressure required to keep rod retracted is 5

- 1 Flow control valve X
- 2 High pressure measuring connection
- 3 Oil refilling nipple
- 4 Powerstroke sequence valve
- 5 Bleeding plate
- 6 Oil level indicator

| Order No. | Included Stroke Type | power stroke (mm) | stroke (mm) | Max. force at 10 bar air pressure<br>kN (tons) | Fast approach | Return force at 5 bar air pressure (daN) | Return force at 10 bar air pressure (daN) | Dimensions in mm. |     |          |    |                |                |                 |    |    |    |      |    |     |    |    |    |
|-----------|----------------------|-------------------|-------------|--|---------------|--|---|-------------------|-----|----------|----|----------------|----------------|-----------------|----|----|----|------|----|-----|----|----|----|
|           |                      |                   |             |  |               |  |   | A                 | B   | C        | D  | E <sub>1</sub> | E <sub>2</sub> | F <sub>17</sub> | G  | H  | K  | M    | N  | O   | P  | R  | U  |
| RP 8.     | 32.                  | 3                 |             | 79 (7,9)                                       | 40            | 43                                       | 86  | 80                | 474 | 6xM8x12  | 65 | G1/8           | G1/4           | 52              | 10 | 35 | 25 | 46,5 | 30 | 130 | 20 | 16 | 10 |
| RP15.     | 32.                  | 3                 |             | 159 (15,9)                                     | 50            | 77                                       | 154                                       | 90                | 512 | 6xM10x16 | 68 | G1/4           | G1/4           | 52              | 10 | 35 | 25 | 46,5 | 30 | 140 | 20 | 16 | 12 |