

TOX®-Powerpackage Type T

The "Turbo" Cylinder with cycle speeds up to 550 strokes / min.
Includes integrated power bypass.

Advantages:

- Patented power bypass
- Constant press-force
- Can be mounted in any orientation
- Internal positive stop

This cylinder is ideal for punching and nibbling machines providing optimum performance. External dampening is recommended.

Function: the full stroke of the cylinder is power stroke. Constant air supply on retract side. Force is generated by the integrated air to oil intensifier. Features complete air to oil separation, integrated oil reservoir, precisely defined end positions, oil level indicator, standard oil refill nipple and high pressure measuring connection.

Controls: simple - like any single acting pneumatic cylinder. Return port is connected to a constant air supply.

Min. air supply 3 bar (40 psi).

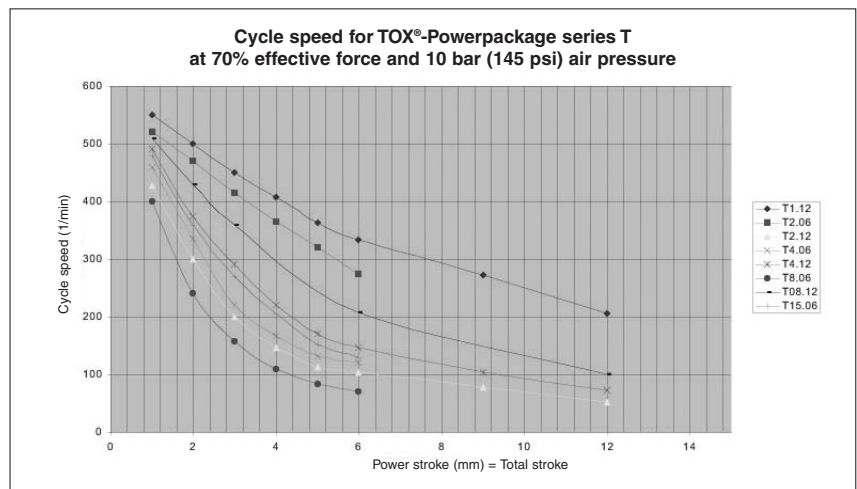
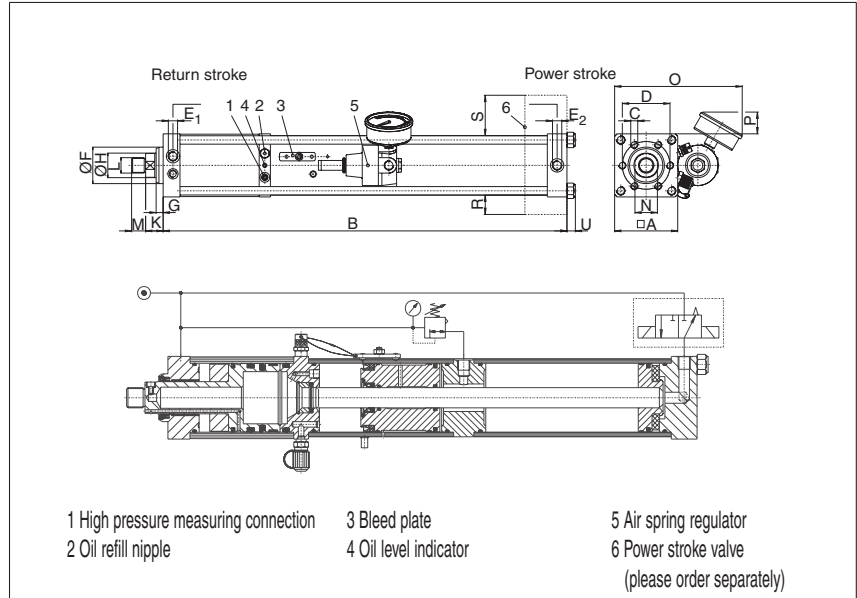
Mounting: can be mounted in any orientation. Side loads on working rod are not permitted. We recommend use of a flexible coupling from our TOX®-Powerpackage accessories.

Accessories: high frequency pneumatic valve ZVT.

Order No.:

ZVT - 1/4" (double solenoid 24V)

ZVT - 1/2" (double solenoid 24V)



Order-No.	Type	Stroke	Power stroke	max. force at air pressure		Retract force		Dimensions in mm.																		
				6 bar	10 bar	daN at 6 bar	daN at 10 bar	A	B	C	D	E ₁	E ₂	F ₁₇	G	H	K	L	M	N	O	P	R	S	U	
T 1.12	12	12	7	12,5	30	59	65	445	6xM 8x12	54	G1/8	G1/4	40	10	30	25	M16x1,5	15	27	160	40	93	93	8		
T 2.06	6	6	13	23	30	59	65	445	6xM 8x12	54	G1/8	G1/4	40	10	30	25	M16x1,5	15	27	160	40	93	93	8		
T 2.12	12	12	11	20	77	150	80	514	6xM 8x12	65	G1/8	G1/4	52	10	35	25	M22x2	20	32	165	35	80	80	10		
T 4.06	6	6	22	39	77	150	80	514	6xM 8x12	65	G1/8	G1/4	52	10	35	25	M22x2	20	32	165	35	80	80	10		
T 4.12	12	12	23	41	128	245	90	576	6xM10x16	68	G1/4	G1/4	52	10	35	25	M22x2	20	32	185	25	75	75	12		
T 8.06	6	6	45	80	128	245	90	576	6xM10x16	68	G1/4	G1/4	52	10	35	25	M22x2	20	32	185	25	75	75	12		
T 8.12	12	12	35	63	230	445	110	582	6xM10x16	88	G1/4	G1/2	70	10	45	25	M30x2	25	36	220	40	110	110	12		
T15.06	6	6	68	120	230	445	110	582	6xM10x16	88	G1/4	G1/2	70	10	45	25	M30x2	25	36	220	40	110	110	12		