

C-frame presses

Series CEU



Picture shows:
 A most flexible steelframe press frame, solid and stable. Suitable for production tasks as well as for the laboratory. The lower press bed is adjustable within 400 mm and can be dismounted. Drive: TOX®-Powerpackage in Z version, with total stroke adjustment.

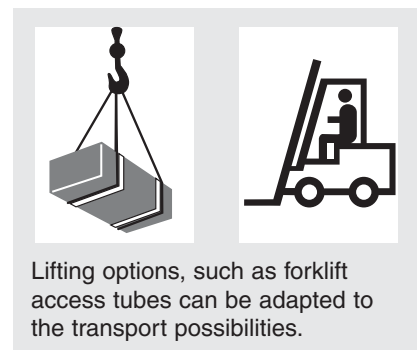
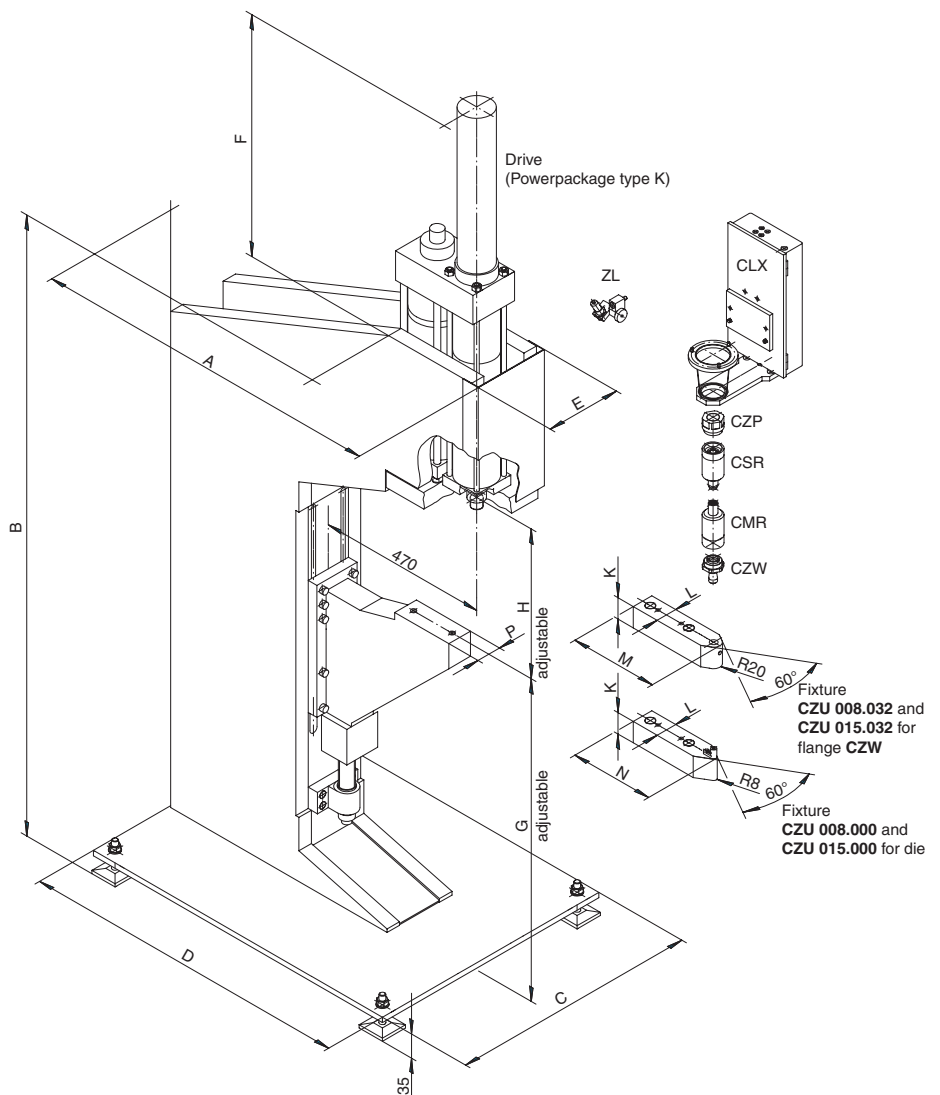
Example: press CEU

consisting of:

- CEU..... TOX®-Press
- Drive TOX®-Powerpackage S/K/KT/EPM
- CLX safety device (see page 16)
- STE safety control
- CSR..... punch stripper
- CZP fixture
- CMR..... die stripper
- CZW fixture
- CZU fixture

Additional Accessories

- ZL target feature with light spot (see page 16)
- ZPS load cell



TOX®-Presses CEU

order number	max. press force kN (t)	TOX®-Powerpackage	A	B	C	D	E	F	G min.	G max.	H min.	H max.	K	L	M	N	P
CEU 008.000	75 (7.5)	S / K 8	975	1710	700	935	210	678	790	1090	220	520	60	60	250	238	70
CEU 015.000	140 (14)	S / K 15	1125	1835	800	1045	280	905	800	1100	237	537	80	90	320	308	90

Special designs on request.

All dimensions in mm.