

4-column presses

Series MA/MAG



Picture shows:
Rigid construction 4-column presses.
Flexible also available in custom sizes.

Example: press MA

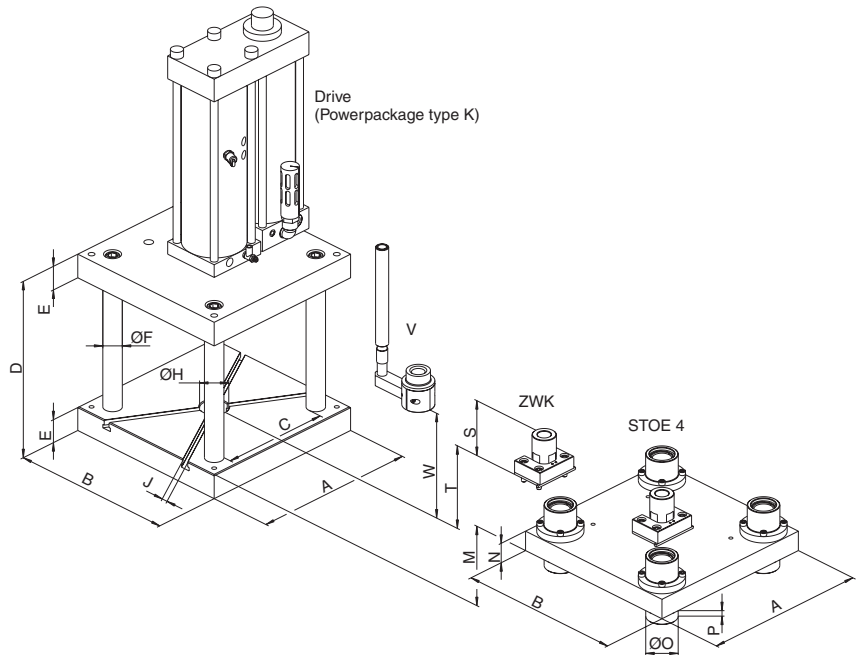
consisting of:

- MA..... 4-column press
- Drive TOX®-Powerpackage S/K/KT/EPM
- UUM..... universal base frame (see page 15)
- STE safety control

Additional Accessories

- T-slot..... T-slots for bed
- V..... anti-torsion lock
- STOE 4 4-column ram guide
- ZDO..... pressure switch
- ZPS..... load cell
- ZWK..... tool holding fixture

Note: special press dimensions are available on request. Please contact us.



TOX®-Presses MA and MAG (MA = standard, MAG - large tool area)

order number	max. load capacity kN (t)	TOX®-Powerpackage	A	B	C	D	E	ØF	ØH	J	H12	optional				with ram guide				with tool holding fixture		with anti-torsion lock W	weight press		weight ram guide	
												M	N	ØO	P	S	T	kg	(lbs)	kg	(lbs)					
MA 001	10 (1)	S / K 1	246	246	150	383,0	27	25	50	8	250	22	45	33	60	270	287	29	(64)	14	(31)					
MA 002	20 (2)	S / K 2	246	246	150	385,0	27	25	50	8	250	22	45	33	60	272	287	29	(64)	14	(31)					
MA 004	40 (4)	S / K 4	296	296	190	410,5	36	30	50	10	250	36	52	39	60	286	286	55	(121)	29	(64)					
MA 008	80 (8)	S / K 8	346	346	205	507,0	46	40	60	10	300	46	67	36	70	356	346	99	(218)	52	(115)					
MA 015	150 (15)	S / K 15	396	396	255	528,0	56	40	60	12	300	46	67	36	70	366	356	148	(326)	65	(143)					
MA 030	300 (30)	S / K 30	446	446	305	579,0	66	50	60	12	300	56	78	44	110	356	376	225	(495)	98	(216)					
MA 050	500 (50)	S / K 50	496	496	330	614,0	76	60	60	12	300	66	93	59	120	366	381	321	(707)	141	(311)					
MA 075	750 (75)	S / K 75	646	646	420	772,0	116	80	60	18	350	76	130	74	150	446	460	815	(1793)	293	(645)					
MA 100	1000 (100)	S / K 100	696	696	420	862,0	136	100	60	18	350	86	157	89	150	516	560	1140	(2508)	400	(880)					
MA 200	2000 (200)	S / K 170	796	796	465	982,0	156	125	60	18	400	96	185	119	200	556	request	1739	(3826)	603	(1327)					
MAG 008	80 (8)	S / K 8	446	446	305	577,0	56	40	60	12	350	46	67	36	70	416	406	188	(414)	80	(176)					
MAG 015	150 (15)	S / K 15	446	446	305	628,0	76	40	60	12	350	56	67	26	90	426	436	249	(548)	95	(209)					
MAG 030	300 (30)	S / K 30	596	596	455	699,0	96	50	60	12	350	76	78	24	110	446	466	554	(1219)	219	(482)					
MAG 050	500 (50)	S / K 50	596	596	430	754,0	116	60	60	12	350	76	93	49	140	446	481	675	(1485)	224	(493)					
MAG 075	750 (75)	S / K 75	746	746	520	872,0	136	80	60	18	400	86	130	64	150	526	540	1259	(2770)	417	(918)					
MAG 100	1000 (100)	S / K 170	796	796	520	912,0	136	100	60	18	400	86	157	89	150	566	580	1471	(3237)	501	(1103)					
MAG 200	2000 (200)	S / K 170	896	896	565	1032,0	156	125	60	18	450	96	185	119	200	606	request	2172	(4779)	731	(1609)					

All dimensions in mm.