

2-column presses

Series MB/MBG



Picture shows:
Flexible also available in custom sizes.

Example: press MB

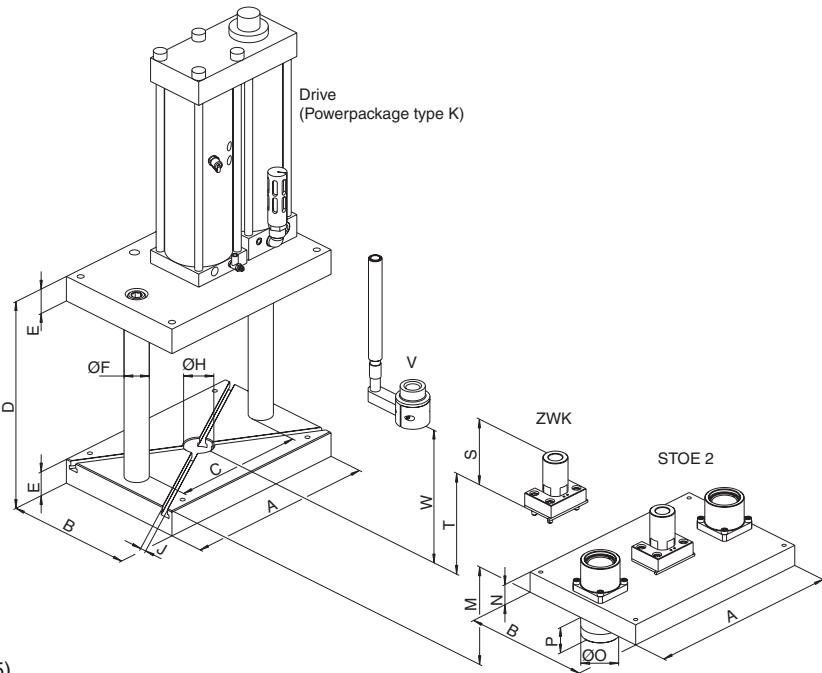
consisting of:

- MB..... 2-column press
- Drive TOX®-Powerpackage
S/K/KT/EPM
- UUM..... universal base frame (see page 15)
- STE safety control

Additional Accessories

- T-slot T-slots for bed
- V..... anti-torsion lock
- STOE 2 2-column ram guide
- ZDO..... pressure switch
- ZPS..... load cell
- ZWK..... tool holding fixture

Note: special press dimensions are available on request. Please contact us.



TOX®-Presses MB and MBG (MB = standard, MBG - large tool area)

order number	max. load capacity kN (t)	TOX®-Powerpackage	A	B	C	D	E	ØF	optional		with ram guide				with tool holding fixture		with anti-torsion lock W	weight press		weight ram guide	
									ØH	J H12	M	N	ØO	P	S	T		kg	(lbs)	kg	(lbs)
MB 001	10 (1)	S / K 1	396	246	280	397,0	36	30	50	8	250	27	52	48	60	277	292	57	(26)	23	(51)
MB 002	20 (2)	S / K 2	396	246	280	399,0	36	30	50	8	250	27	52	48	60	277	292	57	(26)	23	(51)
MB 004	40 (4)	S / K 4	396	296	255	441,5	46	40	50	10	250	27	67	55	60	307	307	88	(94)	30	(66)
MB 008	80 (8)	S / K 8	446	296	300	517,0	56	40	60	10	300	36	67	46	70	356	346	119	(262)	43	(95)
MB 015	150 (15)	S / K 15	446	296	310	538,0	56	50	60	12	300	46	78	54	70	376	366	123	(271)	54	(119)
MB 030	300 (30)	S / K 30	446	346	285	579,0	76	60	60	12	300	46	93	79	110	346	366	194	(427)	66	(146)
MB 050	500 (50)	S / K 50	496	346	275	634,0	86	80	60	12	300	56	130	94	120	376	391	254	(559)	100	(220)
MB 075	750 (75)	S / K 75	646	496	375	812,0	116	100	60	18	350	76	157	99	150	486	500	625	(1375)	237	(53)
MB 100	1000 (100)	S / K 100	696	496	370	882,0	136	125	60	18	350	86	185	129	150	536	550	819	(1802)	295	(649)
MB 200	2000 (200)	S / K 170	796	546	400	1002,0	156	150	60	18	400	96	220	154	200	576	on request	1184	(2605)	449	(988)
MBG 001	10 (1)	S / K 1	496	296	380	447,0	36	30	50	8	300	27	52	48	60	327	342	85	(187)	34	(75)
MBG 002	20 (2)	S / K 2	496	296	380	449,0	36	30	50	8	300	27	52	48	60	327	342	85	(187)	34	(75)
MBG 004	40 (4)	S / K 4	496	346	355	500,5	46	40	50	10	300	36	67	46	60	366	366	128	(282)	53	(117)
MBG 008	80 (8)	S / K 8	546	346	400	577,0	56	40	60	10	350	46	67	36	70	416	406	170	(374)	74	(163)
MBG 015	150 (15)	S / K 15	546	396	410	608,0	66	50	60	12	350	46	78	54	90	416	426	231	(509)	85	(187)
MBG 030	300 (30)	S / K 30	546	396	385	659,0	86	60	60	12	350	46	93	79	110	416	436	303	(667)	89	(196)
MBG 050	500 (50)	S / K 50	596	396	375	764,0	116	80	60	12	350	66	130	84	140	456	491	454	(999)	146	(322)
MBG 075	750 (75)	S / K 75	746	496	475	902,0	136	100	60	18	400	76	157	99	150	556	570	835	(1837)	268	(590)
MBG 100	1000 (100)	S / K 100	796	546	470	972,0	156	125	60	18	400	86	185	129	170	586	620	1152	(2535)	357	(786)
MBG 200	2000 (200)	S / K 170	896	596	500	1092,0	176	150	60	18	450	96	220	154	220	626	on request	1608	(3538)	527	(1160)

All dimensions in mm.