

# C-frame bed presses

## Series MCC



Picture shows:  
MCC frame with mini ram-guide and  
S-type Powerpackage.

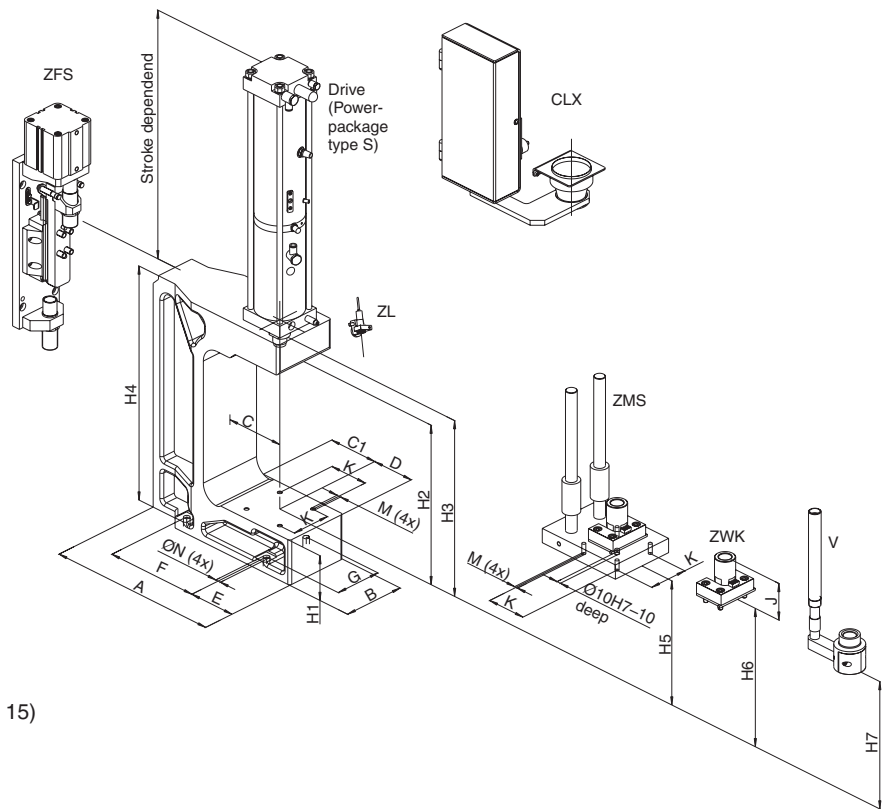
### Example: press MCC

consisting of:

- MCC ..... TOX®-Press frame
- Drive ..... TOX®-Powerpackage  
S/K/KT/EPM
- UUM ..... universal base frame (see page 15)
- STE ..... safety control (see page 17)

### Additional Accessories

- ZDO ..... pressure switch
- CLX ..... safety device (see page 16)
- ZL ..... target feature with light  
spot (see page 16)
- ZFS ..... indexing slide
- V ..... anti-torsion lock
- ZPS ..... load cell
- ZMS ..... mini ram-guide
- ZWK ..... tool holding fixture



### Mini ram-guide ZMS

Bushings, columns and tool coupling  
ZWK are included. The center pilot  
hole provides precise alignment for  
plate rework.

### TOX®-Presses MCC

order number	max. loading capacity kN (t)	TOX®-Powerpackage	A	B	C	C1	D appr.	E	F	G	H1	H2	H3	H4	H5	H6	H7	J	K	M	ØN
MCC 002	20 (2)	S / K 2	255	100	100	80	55	45	155	70	65	270,0	295	386,0	195	225	220	70	60	M8	9
MCC 004	40 (4)	S / K 4	380	130	150	125	80	60	240	90	90	293,5	330	448,5	220	250	238	80	100	M8	14
MCC 008	80 (8)	S / K 8	441	160	150	125	110	90	240	120	110	390,0	430	575,0	305	340	313	90	100	M10	14
MCC 015	150 (15)	S / K 15	480	200	150	125	130	100	260	160	150	411,0	480	666,0	320	360	341	120	150	M10	14

All dimensions in mm.